

Car Stereo Service Bulletin

CSA-14

Sony Service Company - Technical Services
A Division of Sony Electronics Inc.
Sony Drive, Park Ridge, New Jersey 07656

Model: XR-1400

No. 361

Subject: Tape Audio Level Lower Than Tuner Audio Level.

Date: May 1, 1995

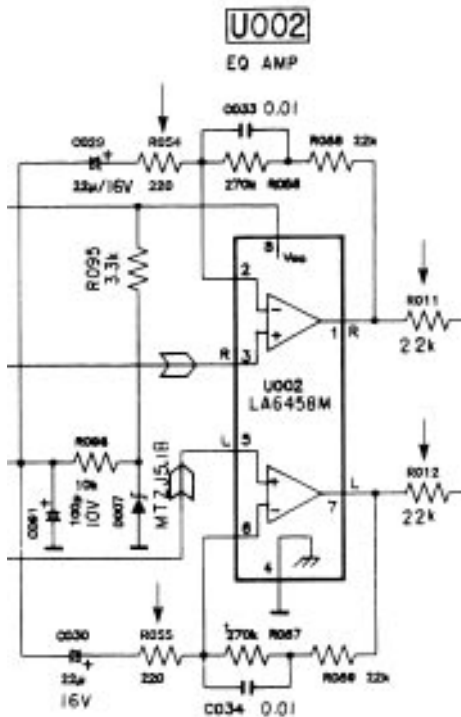
Symptom:

(52) The tape audio level may be lower than the tuner audio level.

Solution:

If the customer complains about this problem, implement the component changes shown below.

REF	FORMER		NEW	
	DESCRIPTION	PART NUMBER	DESCRIPTION	PART NUMBER
R54 R55	RESISTOR, 220 OHM	1-247-815-11	RESISTOR, 100 OHM	1-247-807-11
R11 R12	RESISTOR, 22 K	1-247-863-11	RESISTOR, 2.2 K	1-247-839-11



Filename: CAR0361.SB
Directory: J:\SBDOC\MAY95
Template: C:\WINWORD\S_BULL.DOT
Title:
Subject:
Author: Hoyt Wing Lee
Keywords:
Comments:
Creation Date: 05/01/95 10:11 AM
Revision Number: 2
Last Saved On: 05/01/95 10:11 AM
Last Saved By: Hoyt Wing Lee
Total Editing Time: 1 Minute
Last Printed On: 04/01/96 9:38 AM
As of Last Complete Printing
Number of Pages: 2
Number of Words: 133 (approx.)
Number of Characters: 763 (approx.)